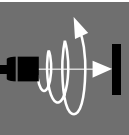


DC 3-/4-wire Inductive Sensors

Block design, 80×80 mm Maxisensor



| | | | |
|---------------------------------------|-------------------------------|-------------------------------|--|
| 80×80×40 mm Maxisensor | 80×84×40 mm Maxisensor | 80×80×40 mm Maxisensor | |
| Flush | Flush | Flush | |
| 40 mm | 40 mm | 40 mm | |
| 0...32 mm | 0...32 mm | 0...32 mm | |
| ■ | ■ | ■ | |
| | BES0227 | | |
| | BES Q80KA-PSH40B-S04Q | | |
| | BES0225 | | |
| | BES Q80KA-PAH40B-S04Q | | |
| BES020R | | BES020T | |
| BES 517-140-M4-H | | BES 517-140-M4-H-S4 | |
| 10...55 V DC | 10...55 V DC | 10...55 V DC | |
| 2.5 V | 2.5 V | 2.5 V | |
| 250 V AC (□) | 250 V AC (□) | 250 V AC (□) | |
| 200 mA | 200 mA | 200 mA | |
| Yes/Yes/Yes | Yes/Yes/Yes | Yes/Yes/Yes | |
| -25...+70 °C | -25...+70 °C | -25...+70 °C | |
| 50 Hz | 50 Hz | 50 Hz | |
| Yellow LED | Yellow LED | Yellow LED | |
| IP 67 | IP 67 | IP 67 | |
| CE | CE | CE | |
| PBT | PBT | PBT | |
| PBT | PBT | PBT | |
| Image 5...8 | Fig. 1 | Image 5...8 | |
| Screw terminal, metric cable gland | M12 connector, 4-pin | M12 connector, 4-pin | |



Inductive Sensors

Global DC 3-wire

DC 3-/4-wire

Cylinder Designs

Block Designs

DC 2-wire

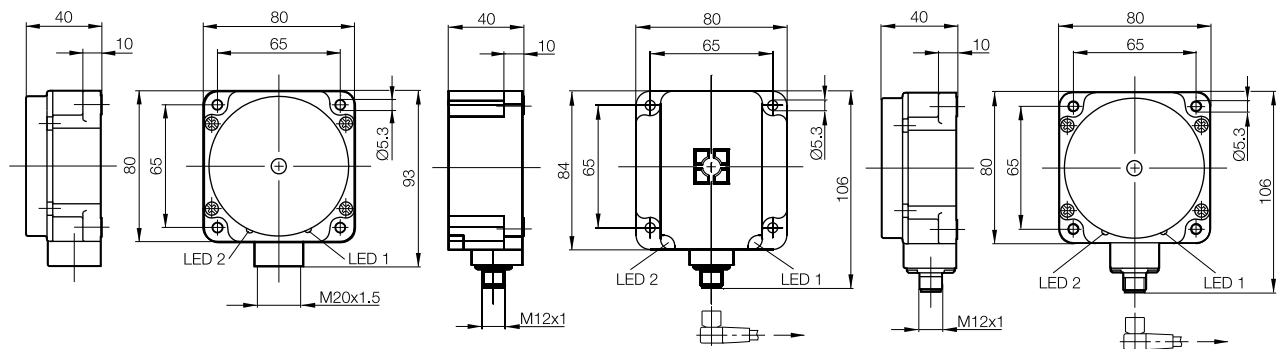
AC/DC 2-wire

AC 2-wire

Special Properties

Analog Distance Measurement

Accessories



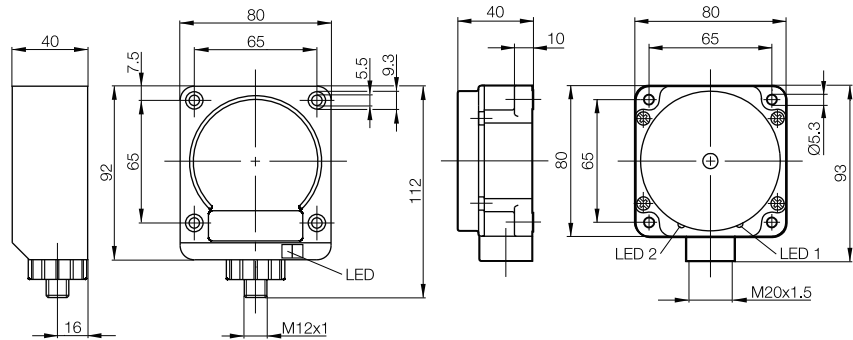
DC 3-/4-wire Inductive Sensors

Block design, 80×80 mm Maxisensor



| Model | 80×92×40 mm Maxisensor | 80×80×40 mm Maxisensor | |
|---|------------------------|------------------------------------|------------------|
| Installation type (observe instructions in the Basic Information chapter) | Flush | Not flush | |
| Rated switching distance s_n | 50 mm | 50 mm | |
| Assured switching distance s_a | 0...40.5 mm | 0...40 mm | |
| Switching distance marking | ■ | ■ | |
| PNP, NO | Ordering code | | |
| | Part number | | |
| PNP, complementary | Ordering code | BES030C | BES023R |
| | Part number | BES Q80KA-PAC50B-S04Q-U | BES 517-139-M5-H |
| NPN, complementary | Ordering code | | BES020U |
| | Part number | | BES 517-140-M5-H |
| Supply voltage U_s | 10...36 V DC | 10...55 V DC | |
| Voltage drop U_d at I_e max. | 2.5 V | 2.5 V | |
| Rated insulation voltage U_i (protection class) | 250 V AC (□) | 250 V AC (□) | |
| Rated operating current I_e | 250 mA | 200 mA | |
| Polarity reversal protected/transposition protected/short-circuit protected | Yes/Yes/Yes | Yes/Yes/Yes | |
| Ambient temperature T_a | -25...70 °C | -25...70 °C | |
| Switching frequency f max. | 70 Hz | 100 Hz | |
| Output function indicator | Yellow LED | Yellow LED | |
| Degree of protection as per IEC 60529 | IP 67 | IP 67 | |
| Approvals | CE, cULus | CE | |
| Material | Housing | PPE | PBT |
| | Sensing surface | PPE | PBT |
| Possible installation variations | | Image 7, 8 | |
| Connection | M12 connector, 4-pin | Screw terminal, metric cable gland | |

Wiring diagrams, see page 958.
Switching distance markings can be found on page 962.

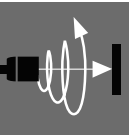


DC 3-/4-wire Inductive Sensors

Block design, 80×80 mm Maxisensor



| 80×80×40 mm Maxisensor | 80×80×40 mm Maxisensor | 80×84×40 mm Maxisensor |
|-------------------------|-------------------------|-------------------------|
| Not flush | Not flush | Not flush |
| 50 mm | 50 mm | 50 mm |
| 0...40 mm | 0...40 mm | 0...40 mm |
| ■ | ■ | ■ |
| | BES023W | BES0228 |
| | BES 517-139-U5-H-S4 | BES Q80KA-PSH50F-S04Q |
| | | BES0226 |
| | | BES Q80KA-PAH50F-S04Q |
| BES020W | | |
| BES 517-140-M5-H-S4 | | |
| 10...55 V DC | 10...55 V DC | 10...55 V DC |
| 2.5 V | 2.5 V | 2.5 V |
| 250 V AC (□) | 250 V AC (□) | 250 V AC (□) |
| 200 mA | 200 mA | 200 mA |
| Yes/Yes/Yes | Yes/Yes/Yes | Yes/Yes/Yes |
| -25...70 °C | -25...70 °C | -25...+70 °C |
| 100 Hz | 100 Hz | 50 Hz |
| Yellow LED | Yellow LED | Yellow LED |
| IP 67 | IP 67 | IP 67 |
| CE | CE, cULus | CE |
| PBT | PBT | PBT |
| PBT | PBT | PBT |
| Image 7, 8 | Image 7, 8 | Image 2...4 |
| M12 connector, 4-pin | M12 connector, 4-pin | M12 connector, 4-pin |



Inductive Sensors

Global DC 3-wire

DC 3-/4-wire

Cylinder Designs

Block Designs

DC 2-wire

AC/DC 2-wire

AC 2-wire

Special Properties

Analog Distance Measurement

Accessories

